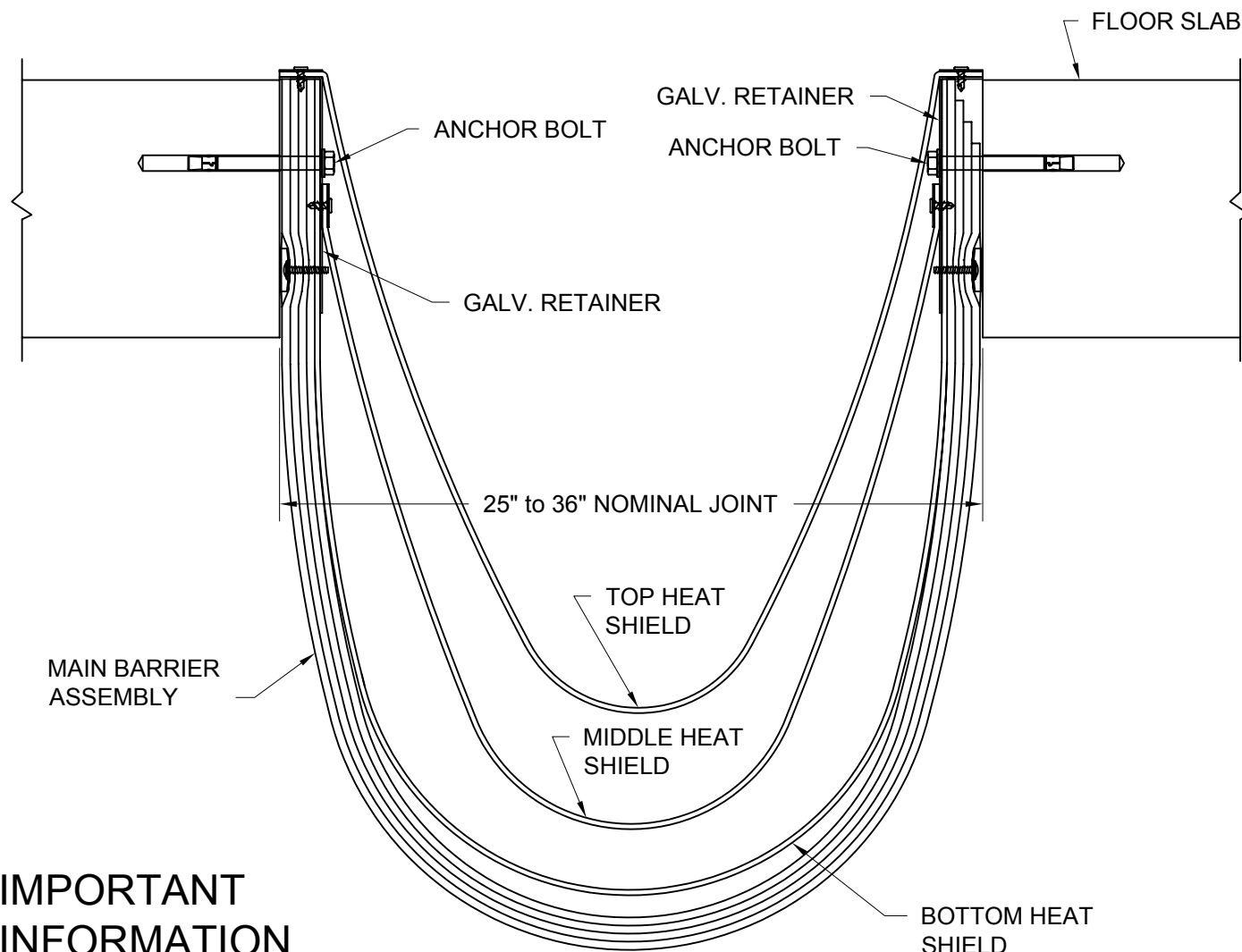


# MODEL FB97-25" through 36" SEISMIC FLOOR JOINT FIRE BARRIER INSTALLATION INSTRUCTIONS



## IMPORTANT INFORMATION

Prior to the commencement of Installation, all materials **MUST** be inspected for Damage. Any damage must be reported to CONSTRUCTION SPECIALTIES, INC., as soon as possible, so that replacement materials may be furnished without delay.

All work must be completed as per Architect's Approved "Shop Drawings", and in accordance with these Installation Instructions. When installation is complete, all materials must be protected from damage until the Architect's FINAL INSPECTION.

All materials should be arranged in the order that they are to be installed. All hardware required for each portion of the work should be placed with the appropriate materials.

Please review all Approved Shop Drawings and this Document to familiarize yourself with all the details and components of this assembly.

### IMPORTANT:

**READ THROUGH ALL INSTRUCTIONS PRIOR TO STARTING INSTALLATION**

8/07

#### **CONSTRUCTION SPECIALTIES, INC.**

P.O. BOX 380  
MUNCY, PA 17756  
PHONE: (570)546-5941 FAX: (570)546-8022

This document is the property of Construction Specialties, Inc. and contains CONFIDENTIAL PROPRIETARY INFORMATION that is not to be disclosed to third parties and is not to be used without approval in writing from Construction Specialties, Inc.

## INSTALLATION INFORMATION AND NOTES

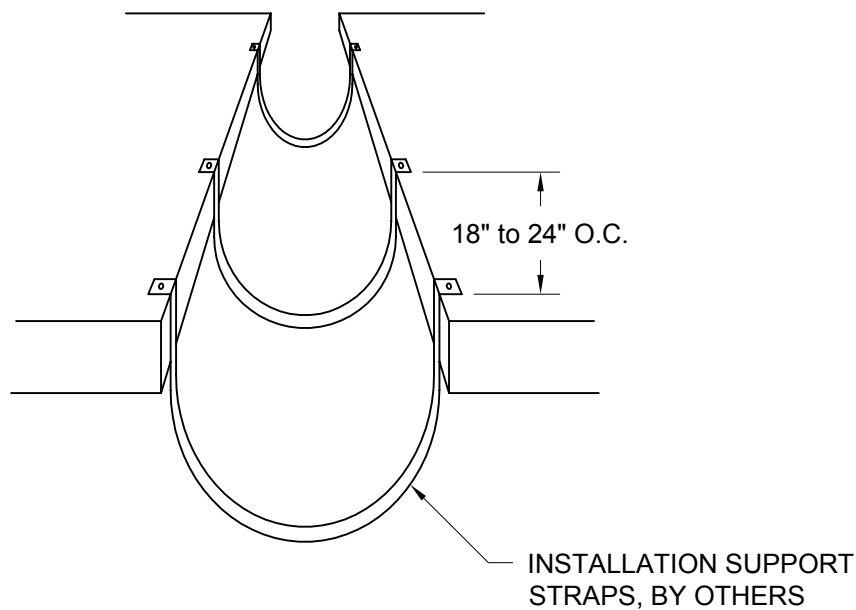
### TOOLS:

The following tools may be needed for installation of the FB97 fire barriers:

- Fabric or Leather Work Gloves
- Measuring Tape
- Level
- Tin Snips
- Hammer
- Permanent Marker
- Circular and/or Chop Saw (standard and abrasive blades)
- Drill
- Duct Tape
- Screwdrivers
- $\frac{1}{2}$ " Wrench
- Utility Knife

### Notes:

- 1.) ALWAYS WEAR GLOVES when handling and cutting the barrier as the edges of the stainless steel foil may cause cuts.
- 2.) Before beginning installation, review the architectural drawings and the approved Construction Specialties shop drawings to establish the extent of the run of fire barrier.
- 3.) Check the joint to make sure that it is clear of any materials that will impede installation of the fire barriers. Make sure that the area around the joint is clean and accessible.



4.)

Depending on the joint width, barrier size, and quantity of barrier to be installed, you may find it helpful to use "installation support straps." The support straps are used to support the weight of the barrier sections and to hold them in the proper location for anchoring to the slab.

- Straps can be made from any strong flexible material such as nylon webbing or thin gauge galvanized steel ( $1\frac{1}{2}$ " to 2" wide).
- The length of the support strap can be determined by measuring the overall width around the outside of the barrier. Install several straps and set a barrier in place to confirm the proper length and anchoring.
- The straps should be removed, if possible, following installation of the barriers.

Notes:

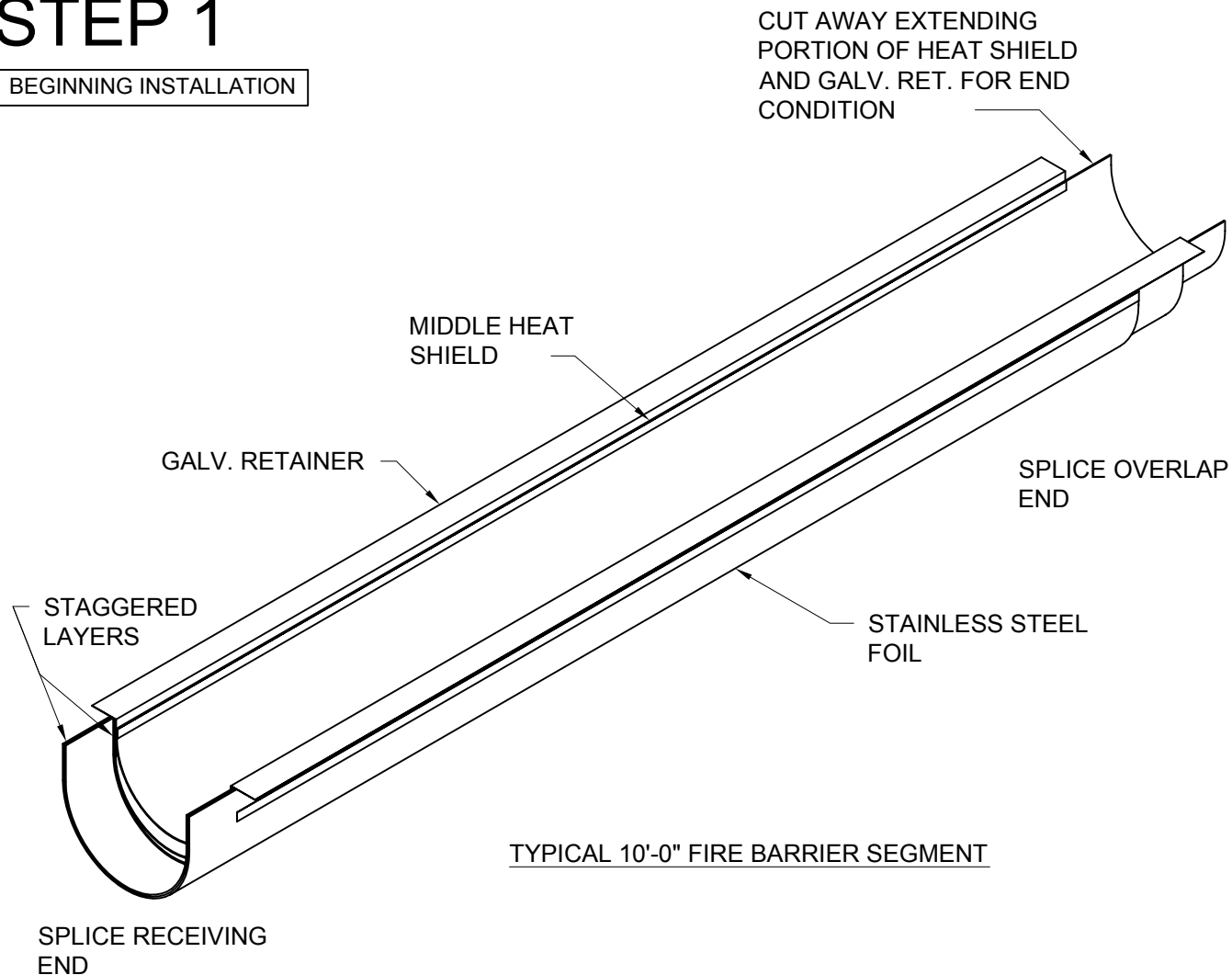
Before beginning installation, review the architectural drawings and approved Construction Specialties Inc. shop drawings to familiarize yourself with the joint cover models and locations.

Check all of the joint cover components to confirm that the correct joint cover model and size have been received. Also, check for materials that may have been damaged during shipping. Report all incorrect and/or damaged components to C/S at 800-233-8493.

Read through all the steps of these instructions prior to beginning work.

# STEP 1

## BEGINNING INSTALLATION



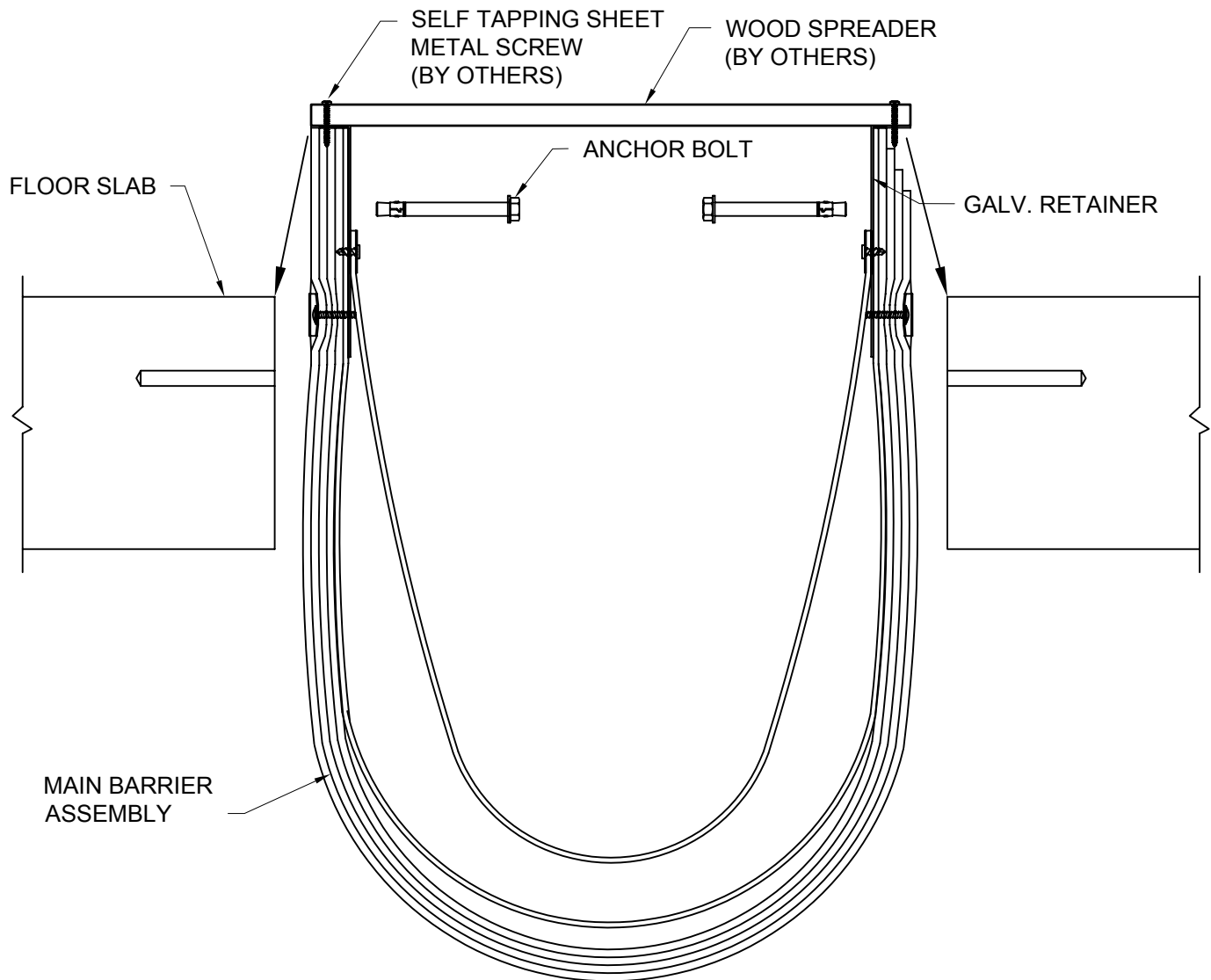
### STEP 1:

Note: The FB-97 fire barrier is generally supplied in (10) foot lengths with the layers staggered to allow for field splicing. See field splicing instructions later in these sheets.

- 1.1) When beginning installation, make sure that the first barrier segment is placed so that the "splice receiving end" of the barrier is in position for the next barrier segment.
- 1.2) Using tin snips and a utility knife, cut away the portion of the Middle Heat Shield and Galvanized Strip that extends beyond the Galvanized Retainer at the "Splice Overlap End" of the Barrier. (Note: This end of the Barrier will be the starting end for installation.)

# STEP 2

## INSTALLING THE FIRST MAIN BARRIER SEGMENT



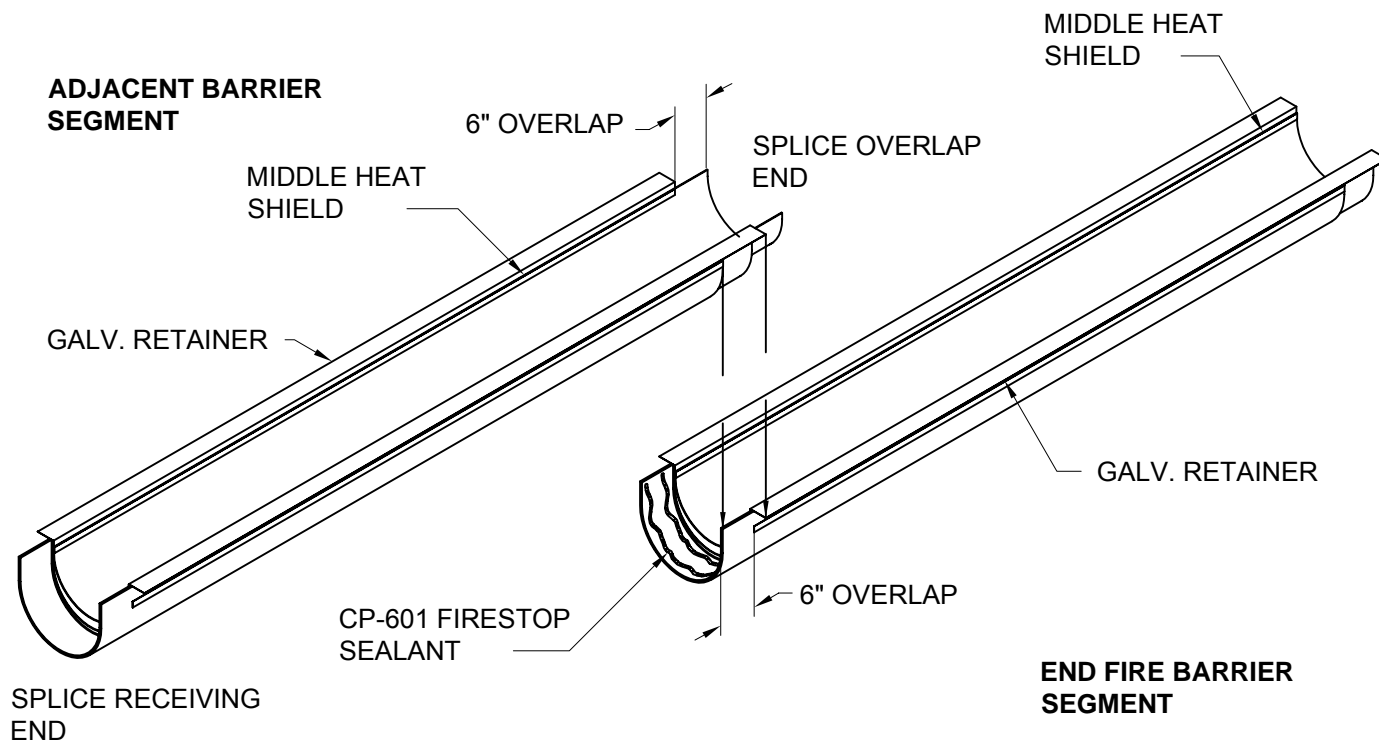
### STEP 2:

Note: The Fire Barrier Assemblies can be quite heavy and because of their flexibility, can be difficult to handle. It may be helpful to attach several Wood Spreaders across the top of the Barrier Assembly, as indicated above, to serve as handles to position the Barrier for attachment. The Wood Spreaders should be cut approx. 1" shorter than the joint width and can be attached to the Galvanized Retainers with sheet metal screws.

- 2.1) With the first Barrier segment in its proper orientation for splicing, hold the segment by the Galvanized Retainers and lower it into the joint.
- 2.2) Seat the Barrier so that the Galvanized Retainer along each edge rests on the surface of the slabs.
- 2.3) While holding the Barrier tightly to the inside face of the slabs, using the Galvanized Retainer as a template, drill the holes for the Construction Specialties supplied anchors. Anchors to be at 18" centers.

# STEP 3

## FIELD SPLICING BARRIER SEGMENTS



### STEP 3:

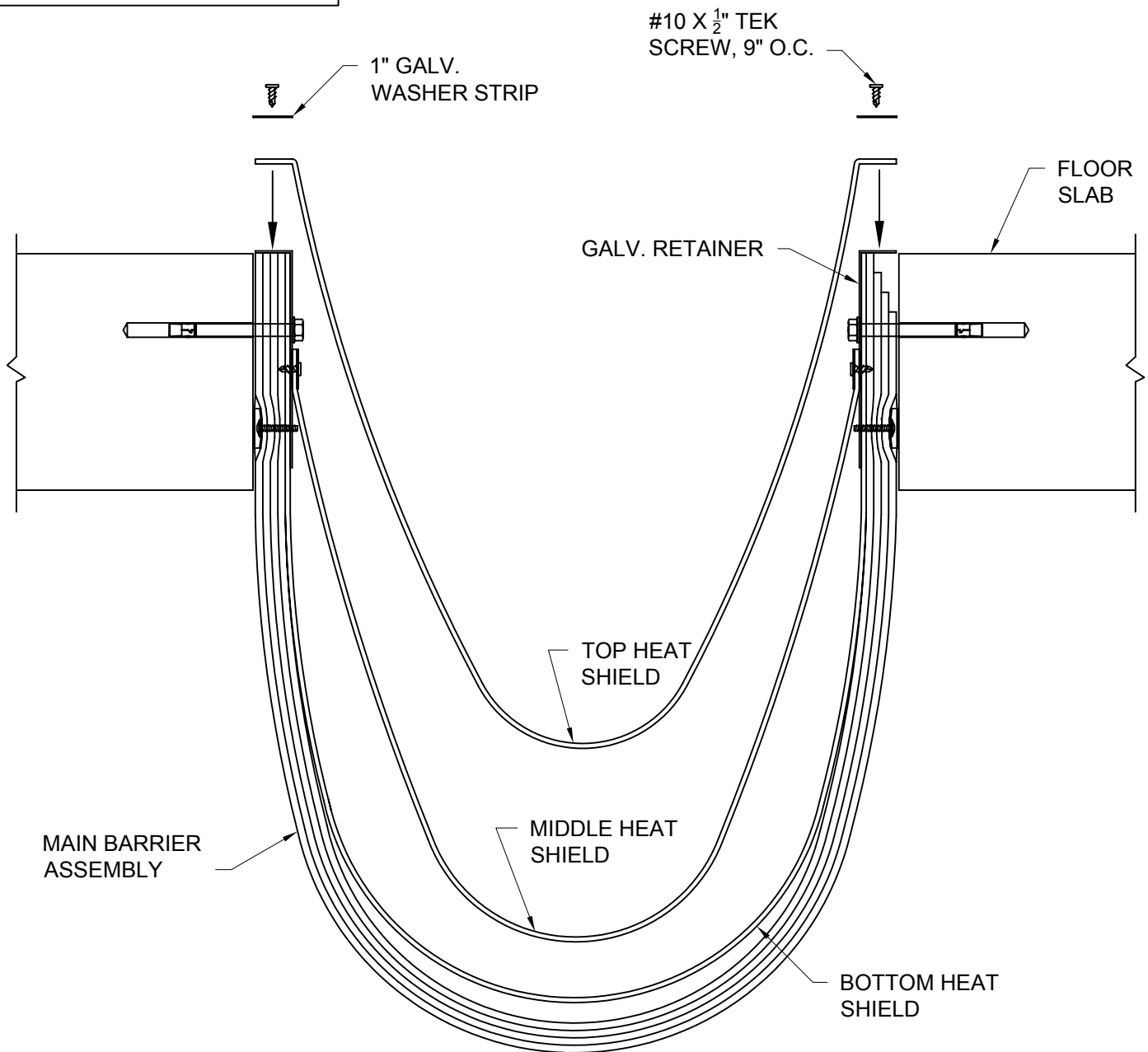
**Note:** With the end segment of Barrier in place, install the second segment of Barrier while creating a field splice as indicated below.

- 3.1) Position the next segment of Barrier so that it is in the proper orientation for splicing.
- 3.2) Apply (2) beads of the Construction Specialties supplied CP-601S Firestop Sealant (approx.  $\frac{1}{2}$ " wide) to the inside surface of the staggered layers of first Barrier segment.
- 3.3) Insert the next segment of Barrier into the joint as described in Step 2, leading with the Splice Overlap End. Lay the bottom surface of the staggered layers into the Firestop Sealant and butt the ends of the layers and Galvanized Retainers together. (Note: The Middle Heat Shield should overlap the Middle Heat Shield of the End Barrier by 6" as well.)
- 3.4) Lower the remaining portion of the Barrier into the joint until the Galvanized Retainers rest on the slabs. Make sure that the ends of the Barriers are butted tightly together. Anchor the Barrier as indicated in Step 2.
- 3.5) Lift the end of the Middle Heat Shield at the splice, and press the top staggered layers into the Firestop Sealant to seat the caulking. Reposition the overlap of the Heat Shield.

**Note:** Continue with the installation of the remaining EJC Fire Barrier segments, following these guidelines, for the remainder of the run.

# STEP 4

## TOP HEAT SHIELD INSTALLATION



### STEP 4:

**Note:** The Top Heat Shield has been supplied in long rolls to minimize splices. Beginning at the same end as the Main Fire Barrier installation, begin installing the Top Heat Shield.

- 4.1) Roll out a length of Top Heat Shield as appropriate for the run and cut the Top Heat Shield to length.
- 4.2) Place the length of Heat Shield so that one edge aligns with the outside edge of the Galvanized Retainer. Use a few pieces of duct tape, placed along the edge of the Heat Shield, to temporarily hold it in place.
- 4.3) Place a length of Galvanized Washer Strip along the flange of the Heat Shield. Attach both the Washer Strip and Heat Shield to the Galvanized Retainer with the Construction Specialties supplied TEK Screws.
- 4.4) Align the opposite edge with the outside edge of the other Galvanized Retainer, and tape it in place. (Note: By aligning the edges with the Galvanized Retainers, the Heat Shield will drape properly into the joint.)
- 4.5) Anchor the Heat Shield to the Fire Barrier Retainer with the Washer Strip and screws as indicated above.
- 4.6) If an additional length of Heat Shield is required, overlap the previous length by 6".
- 4.7) Proceed with installation per the instructions indicated above.

**Note:** Proceed with installation of the joint cover system per its instructions. The anchor bolts of the joint cover will ultimately provide anchorage for the entire Fire Barrier installation.